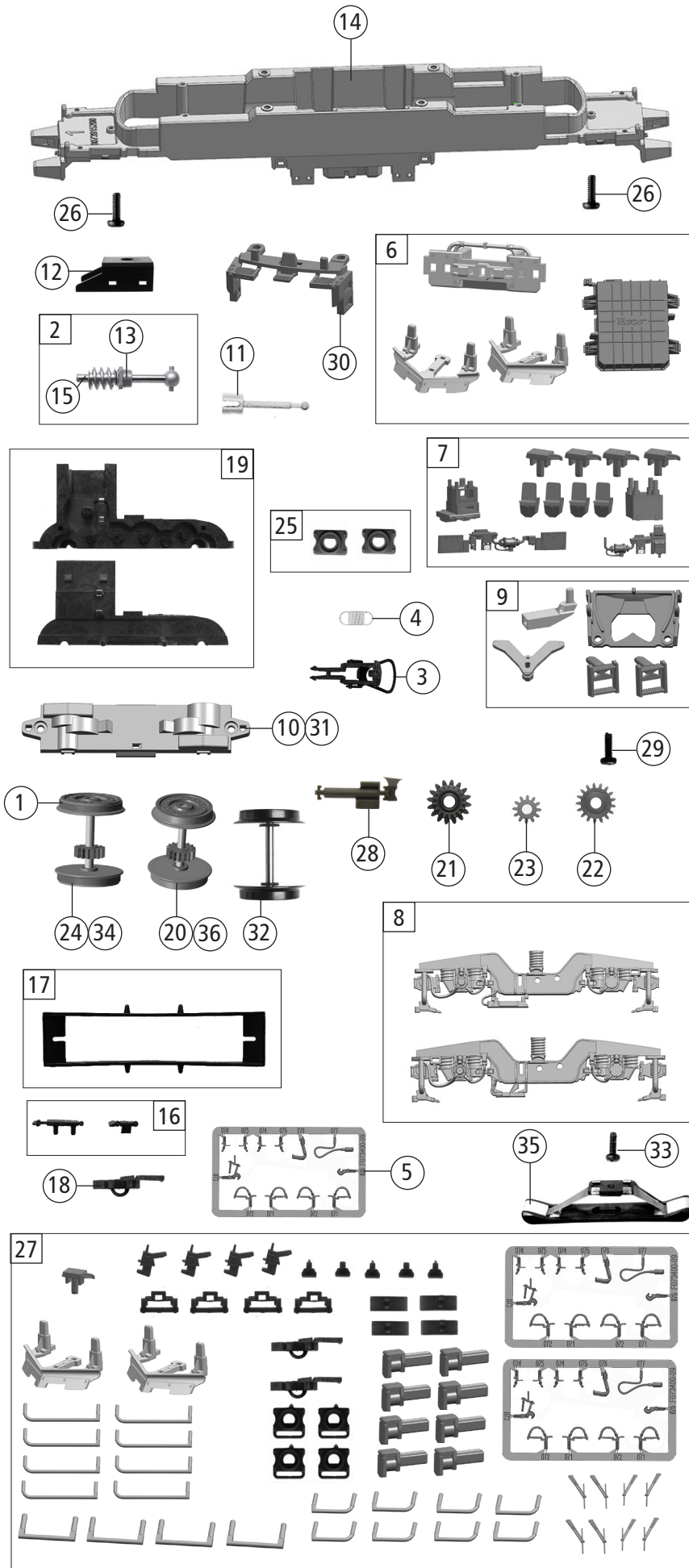


| Pos. Nr. Pos.no. | Beschreibung Description | Art.-Nr. Art.no. | Preisgruppe Price bracket |
|---------------------|--|---------------------|------------------------------|
| 1 | Gehäuse kpl.Betr.Nr. 1293 031-1 Body complete loco nr. 1293 031-1 | 144836 | 30 |
| 2 | Antenne Antenna | 141152 | 3 |
| 3 | Dachbaugruppe kpl. Roof assy complete | 141719 | 35 |
| 4 | Stromabnehmer Typ 8 Pantograph Typ 8 | 85488 | 23 |
| 5 | GF-Schraube M2x5 mm Self-tapping screw M2x5 mm | 114966 | 3 |
| 6 | Führerstand und Himmel Driver's cab and ceiling | 141640 | 8 |
| 7 | TS-Dachgitter Part set roof grid | 141150 | 10 |
| 8 | TS-Stirn + Seitenfenster Part set front and side window | 143901 | 9 |
| 9 | TS-Abdeckungen Part set covers | 141137 | 4 |
| 10 | TS-Lichtleiter und Scheinwerfer Part set light conductor and headlight | 141148 | 14 |
| 11 | Dachleitungen Roof wires | 141157 | 8 |
| 12 | Türgriff Door handrail | 141154 | 4 |
| 13 | TS-Wischer links und rechts,Horn Part set wiper left and right,signal horn | 141155 | 6 |
| 14 | TS-Isolatoren Part set isolators | 141156 | 5 |
| 15 | Frontplatte Front plate | 141718 | 8 |
| 16 | Puffer eckig Rectangular buffer | 122789 | 3 |
| 17 | TS-Lautsprecherbox und Platten Part set loudspeaker box and plates | 141139 | 5 |
| 18 | SK-Schraube M1,6x5 mm SK - Screw M1,6x5 mm | 115317 | 4 |
| 19 | Platine kpl.m.LED-Platine PCB complete with LED-PCB | 141138 | 24 |
| 20 | Brückenstecker Jumper | 133241 | 10 |
| 21 | Motor m.2Schwungm. und Kardanschale Motor with 2 flywheels and cardan reception | 85112 | 28 |
| 22 | Kardanschale kurz 1,5mm Cardan reception short 1,5mm | 87129 | 4 |
| 23 | Kohlebürste Carbon brush | 89743 | 6 |
| 24 | Bürstenfeder Brush spring | 114197 | 3 |
| 25 | Motordämpfer Motor silencer | 113376 | 4 |
| 26 | Kontaktfeder Contact spring | 116876 | 3 |
| 27 | Lokführer Loco driver | 110407 | 6 |
| 28 | TS-Isolatoren Part set of isolators | 115978 | 7 |
| 29 | Antenne kurz Antenna short | 141151 | 3 |
| 30 | Innenbeleuchtung Interior lighting | 141659 | 4 |
| 31 | Antenne lang Antenna long | 141200 | 3 |
| 32 | Stromabnehmer SBB Power pick-up SBB | 85400 | 19 |
| 33 | Stromabnehmer Power pick-up | 85491 | 23 |
| Sound | | | |
| 34 | Platine kpl.m.LED-Platine PCB complete with LED-PCB | 141166 | 28 |
| 35 | Lautsprecher Loudspeaker | 129524 | 14 |
| 36 | Sounddecoder Sound-decoder | 129000 | 39 |

Änderungen in Konstruktion und Ausführung vorbehalten
We reserve the right to change the construction and specification



| Pos. Nr. Pos.no. | Beschreibung Description | Art.-Nr. Art.no. | Preisgruppe Price bracket |
|------------------------|---|---------------------|------------------------------|
| 73953 | ÖBB VECTRON | = | |
| 73954 | | = | 🔊 |
| 79954 | | ~ | 🔊 |
| 1 | Haftrings. 10Stk. 12,9-14,6 mm Traction tyre set, 10 pcs., 12,9-14,6 mm | 40070 | --- |
| 2 | Schneckensatz mit Kardankugel Set of worm gear incl. cardan ball | 110377 | 13 |
| 3 | Standardkupplung Standard coupling | 89246 | 6 |
| 4 | Zugfeder Draw spring | 86208 | 3 |
| 5 | TS-Bremsschläuche und Zughaken Part set of brake tubes & coupling hooks | 139832 | 7 |
| 6 | TS-Schienenräumer, Trafoswanne Part set rail guard, transformer tub | 141140 | 12 |
| 7 | TS-Sandkasten, Antenne Part set sand box, antenna | 141144 | 7 |
| 8 | Drehgestellblende links und rechts Bogie left and right | 141194 | 12 |
| 9 | TS-Kinematik und Deichsel Part set kinematics and drawbar | 141136 | 8 |
| 10 | Getriebeboden Gear bottom | 141159 | 7 |
| 11 | Kardanwelle 24,7mm Cardan shaft 24,7mm | 107011 | 4 |
| 12 | Schneckendeckel Worm gear cover | 122822 | 4 |
| 13 | Lager für Schneckenachse Bearing for worm gear axle | 89749 | 6 |
| 14 | Grundrahmen Basic frame | 141135 | 16 |
| 15 | Beilagscheibe Washer | 86108 | 3 |
| 16 | TS-Blendensteckteile Set of cover plug-in parts | 122956 | 5 |
| 17 | Kontakthalter mit Litzen Contact support with leads | 137826 | 9 |
| 18 | Kurzkupplung-Vorentkupplung Short coupling- pre-uncoupling | 115550 | 6 |
| 19 | Getriebeatz 2-teilig Gear set 2-parts | 122816 | 11 |
| 20 | Radsatz m. Zahnrad o. Haftring Wheelset w.gear wheel w/o traction tyre | 141160 | 12 |
| 21 | Schnecken Zahnrad doppelt Z=16/17 Worm gear wheel double Z=16/17 | 86419 | 6 |
| 22 | Zahnrad Z=17 M=0,4 Gear wheel Z=17 M=0,4 | 127541 | 4 |
| 23 | Zahnrad Z=12 M=0,4 Gear wheel Z=12 M=0,4 | 127542 | 4 |
| 24 | Radsatz m.2 Haftringen m. Zahnrad Wheelset w.2 traction tyres w.gear wheel | 141161 | 13 |
| 25 | Pufferflansch links und rechts Buffer flange left and right | 136487 | 5 |
| 26 | GF-Schraube M2x6 mm Self-tapping screw M2x6 mm | 114828 | 3 |
| 27 | Zurüstbeutel Bag of accessories | 142503 | 19 |
| 28 | Drehdämpfer Rotational damper | 143047 | 3 |
| 29 | GF-Schraube M1,6x4 mm Self-tapping screw M1,6x4 mm | 114850 | 3 |
| 30 | Schürze Skirt | 142216 | 6 |
| AC-Wechselstrom | | | |
| 31 | Getriebeboden AC Gear bottom AC | 130040 | 8 |
| 32 | Radsatz o. Haftring o. Zahnrad AC Wheelset w/o traction tyre w/o gear wheel AC | 141242 | 11 |
| 33 | Schraube M1,5x5 mm Screw M1,5x5 mm | 108137 | 3 |
| 34 | Radsatz m.2 Haftringen m. Zahnrad AC Wheelset w.2 traction tyres w.gear wheel AC | 141168 | 13 |
| 35 | Schleifer 42 mm Center pick-up 42 mm | 86030 | 14 |
| 36 | Radsatz m. Zahnrad o. Haftring AC Wheelset w.gear wheel w/o traction tyre AC | 141167 | 12 |

Ersatzteile erhalten Sie direkt unter www.roco.cc, bei Ihrem Fachhändler oder Ihrer Landesvertretung:
Spare parts can be ordered directly at www.roco.cc and from your local dealer or country representative.